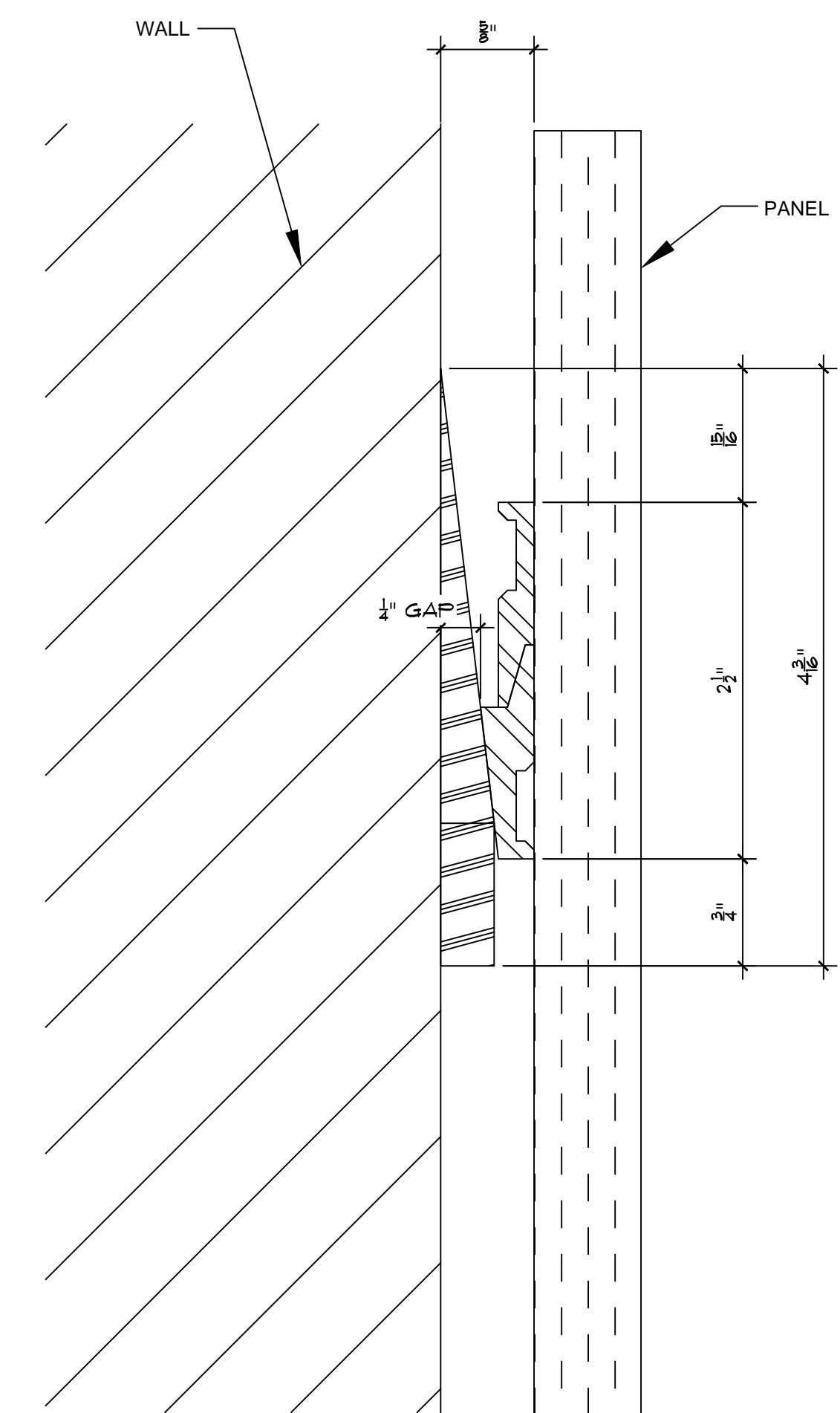
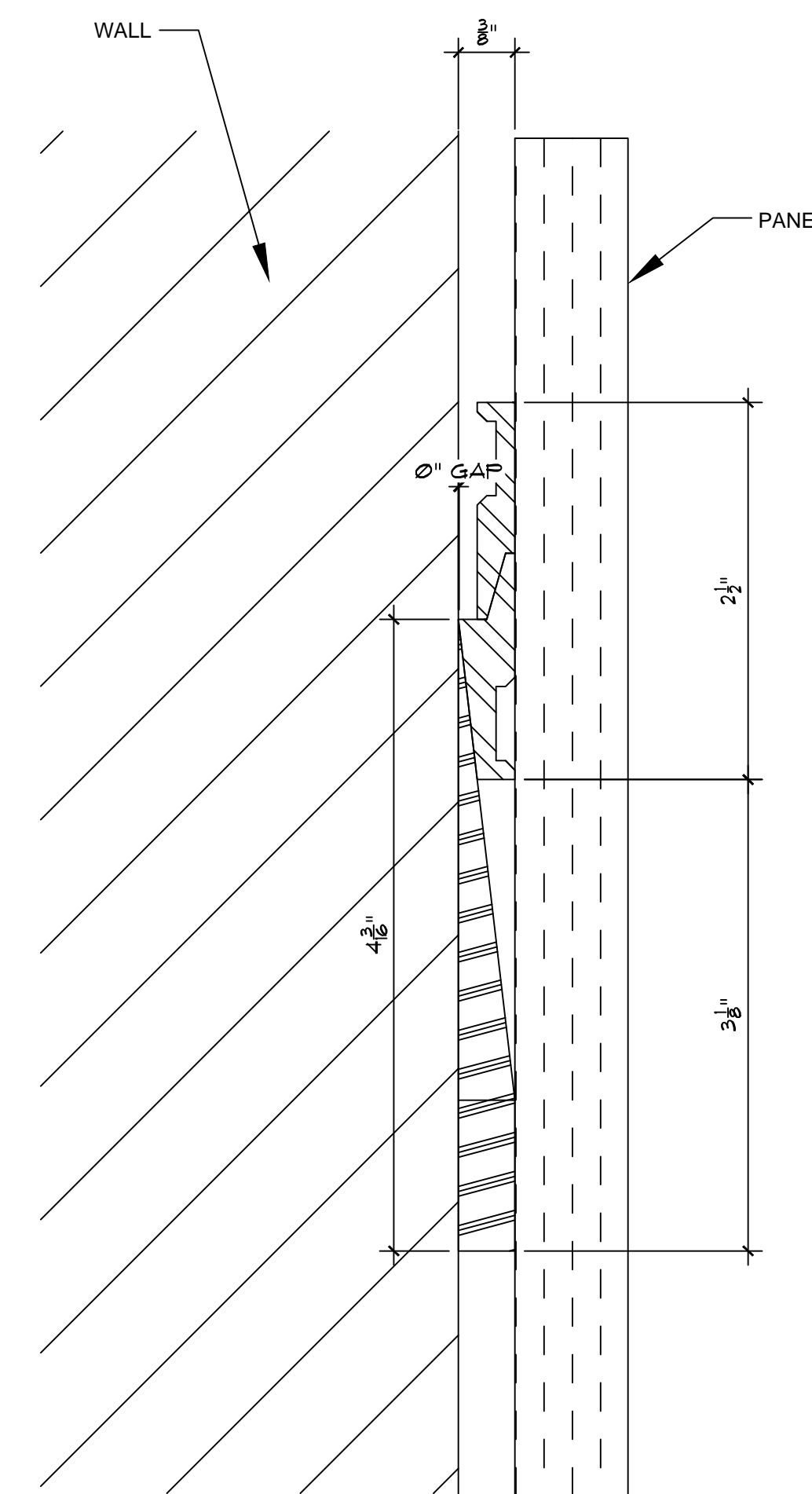
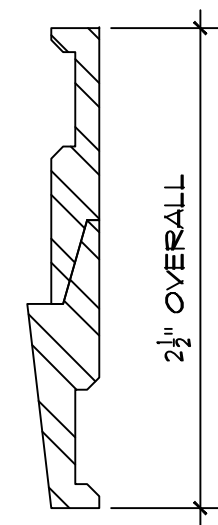
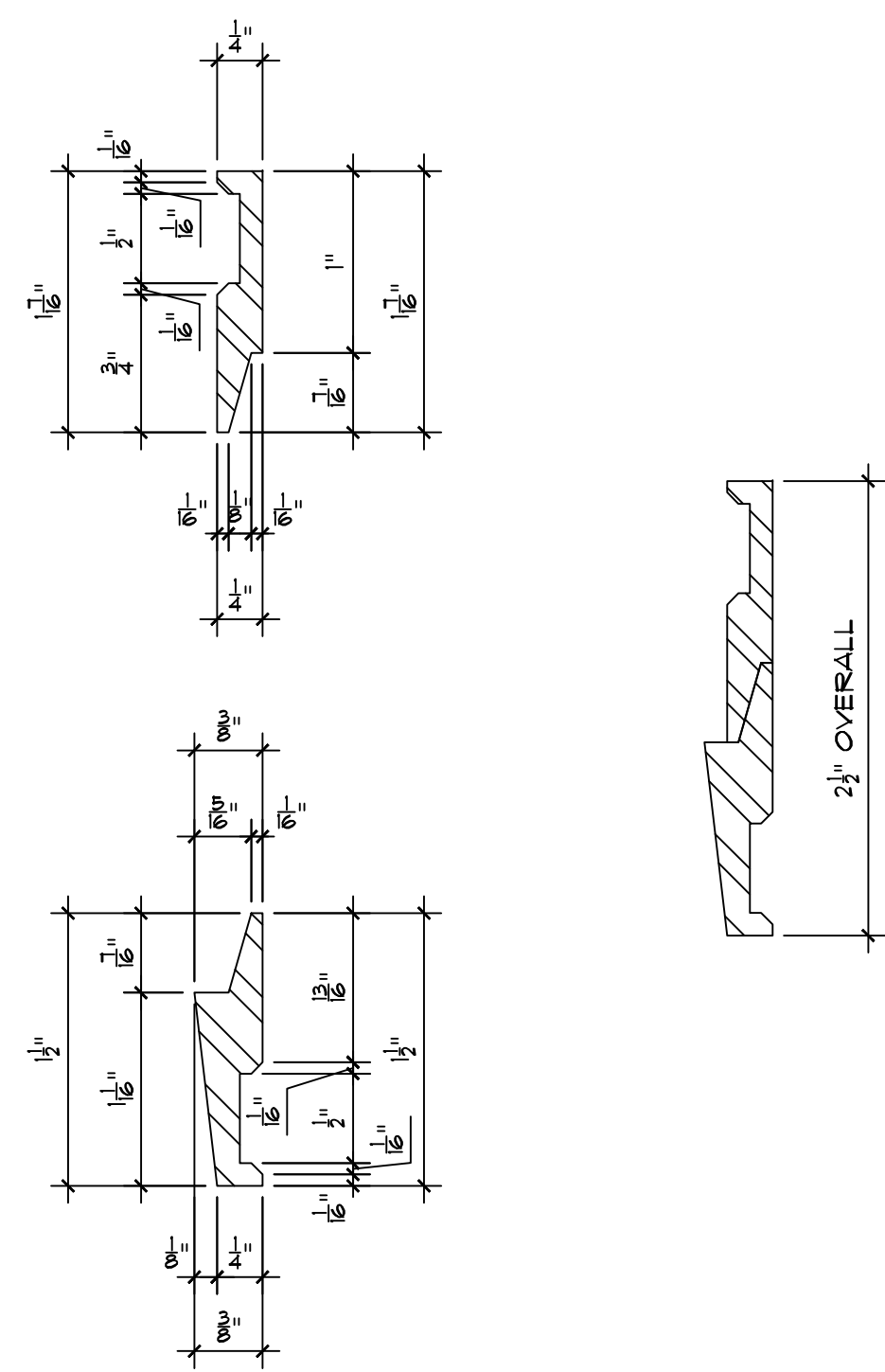
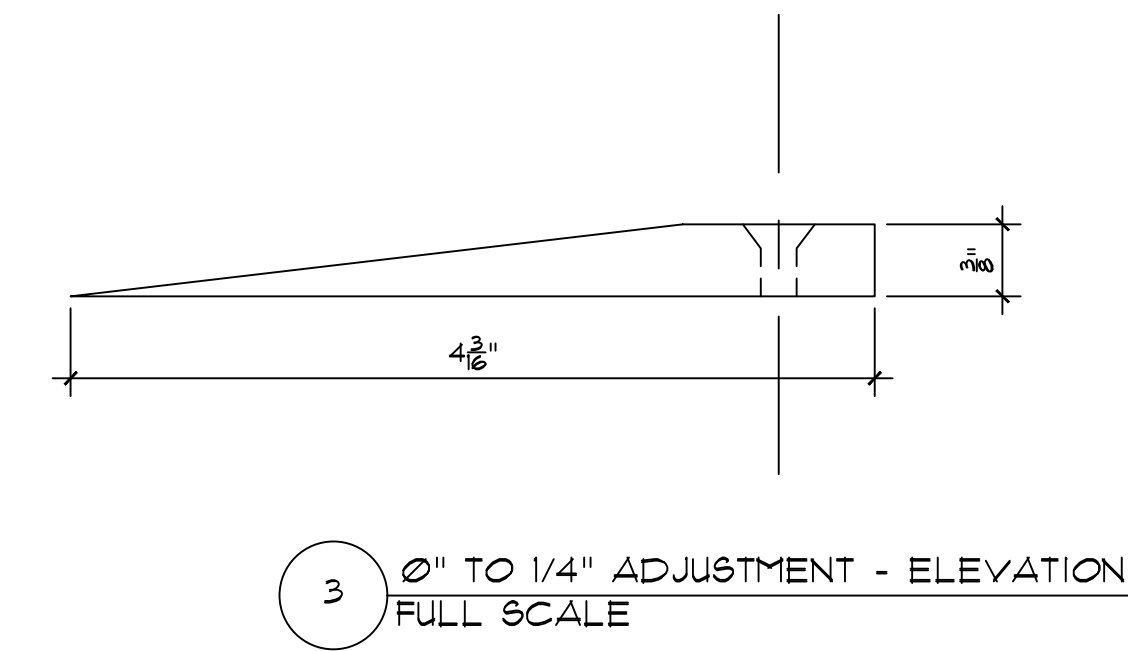
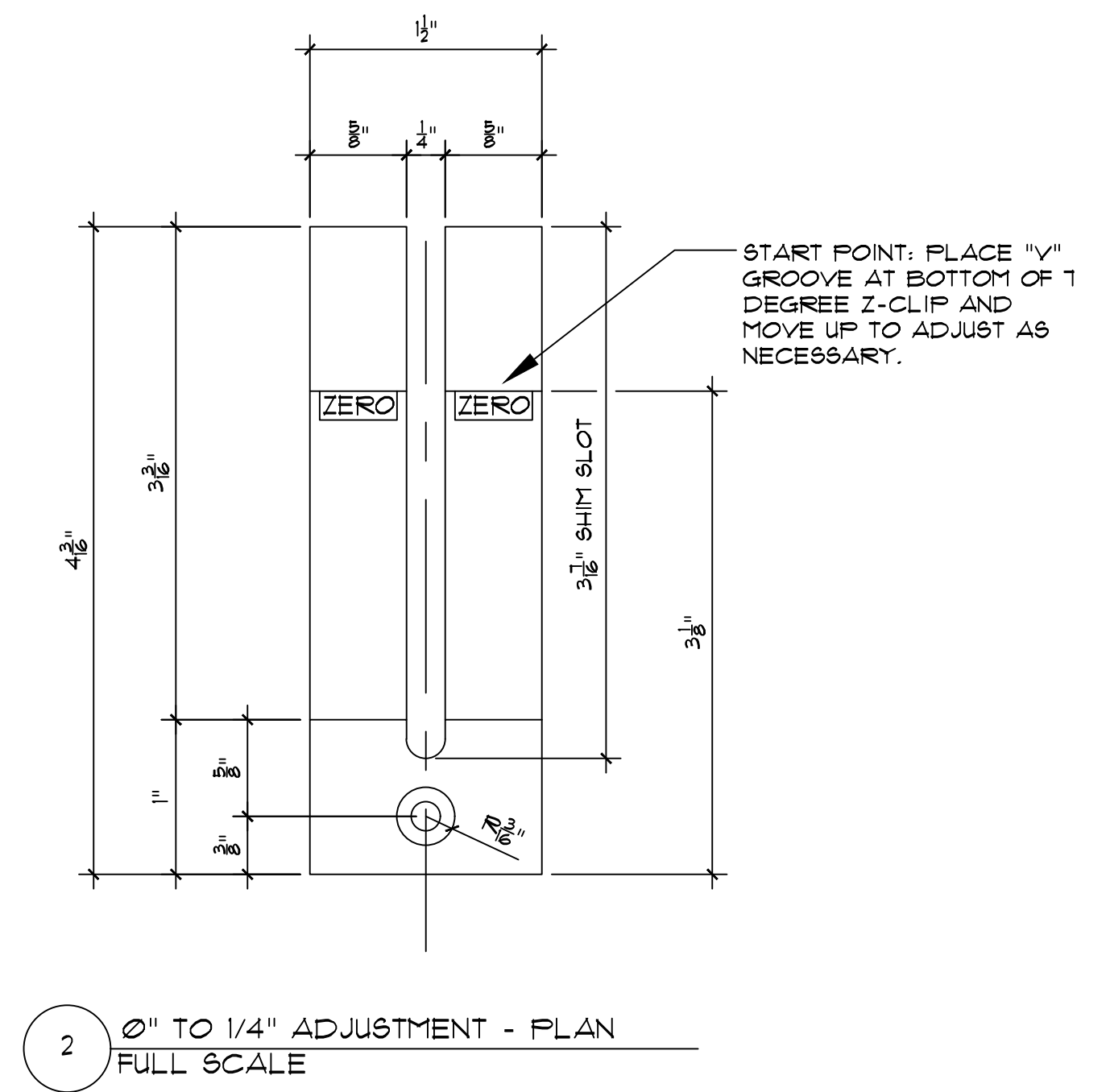
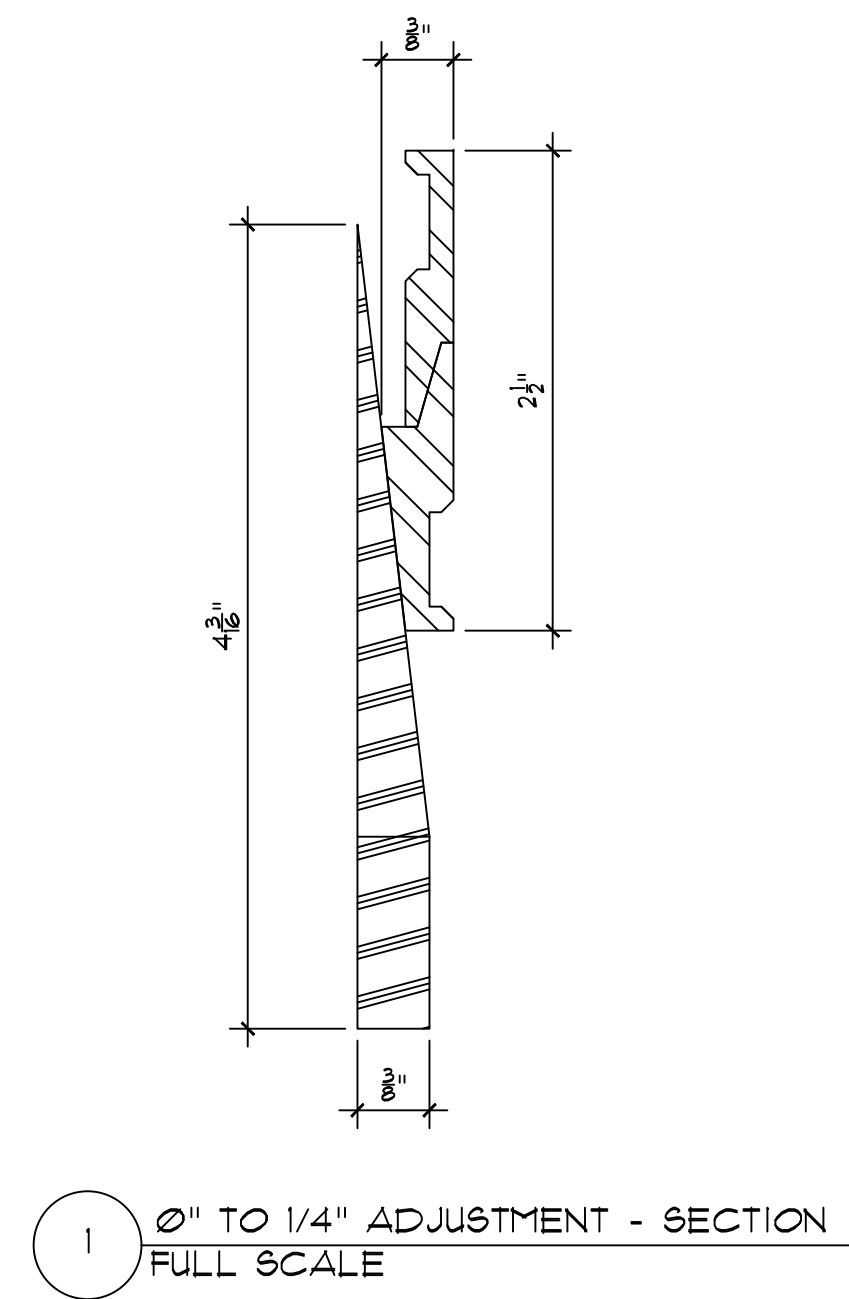
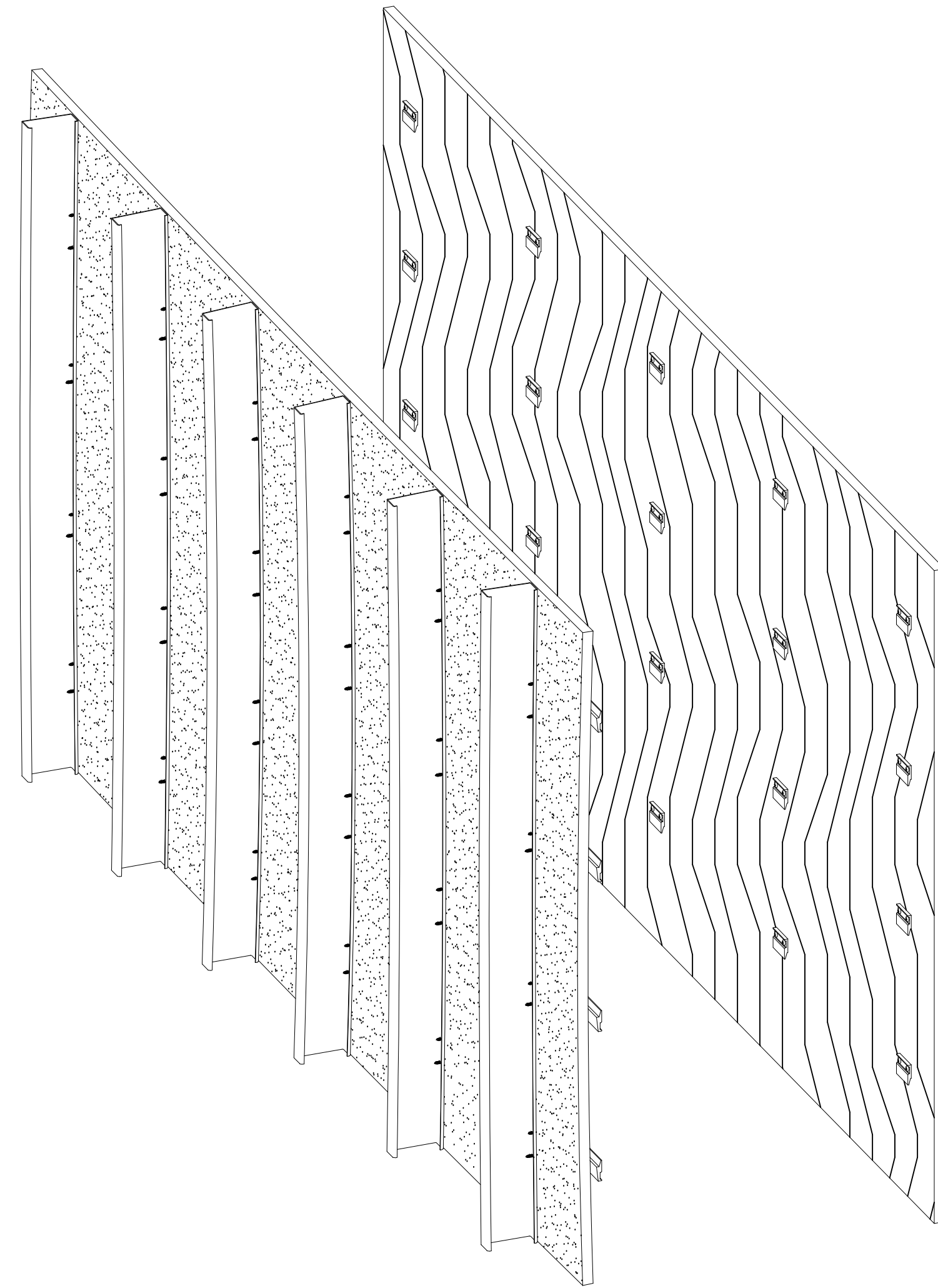
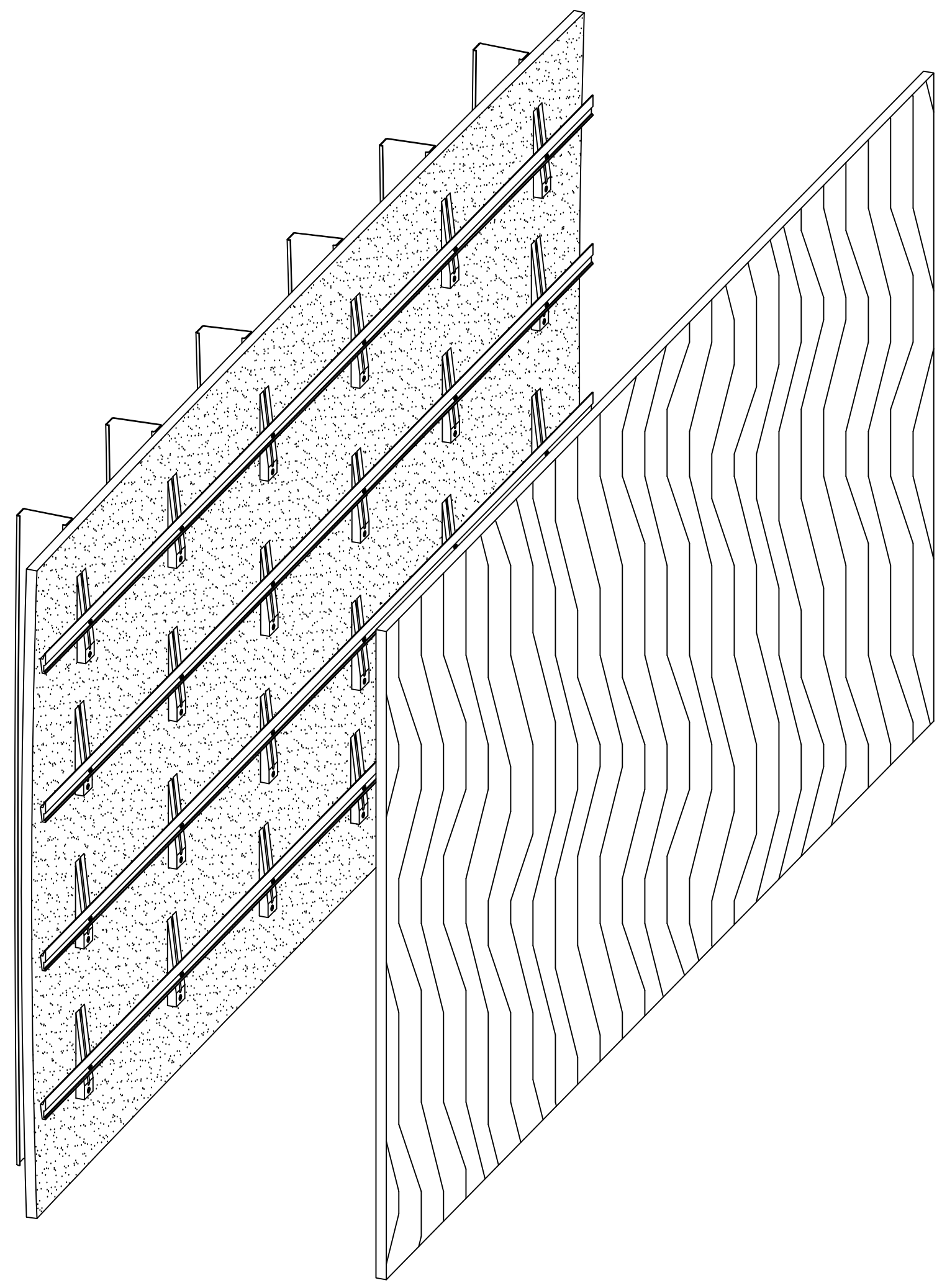


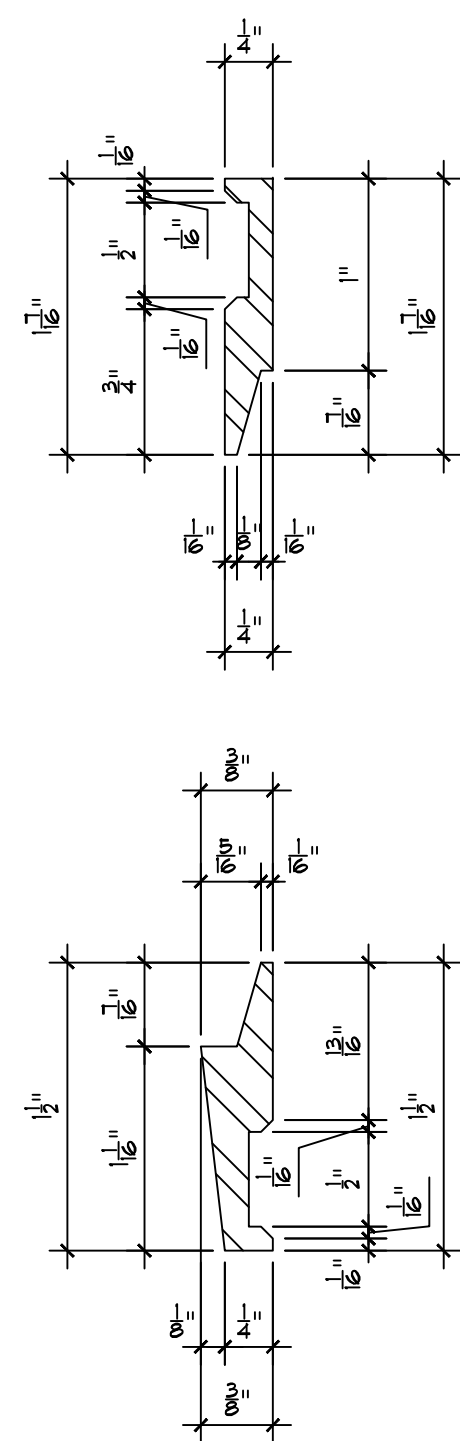
B ISO VIEW  
SCALE: 1-1/2" = 1'-0"



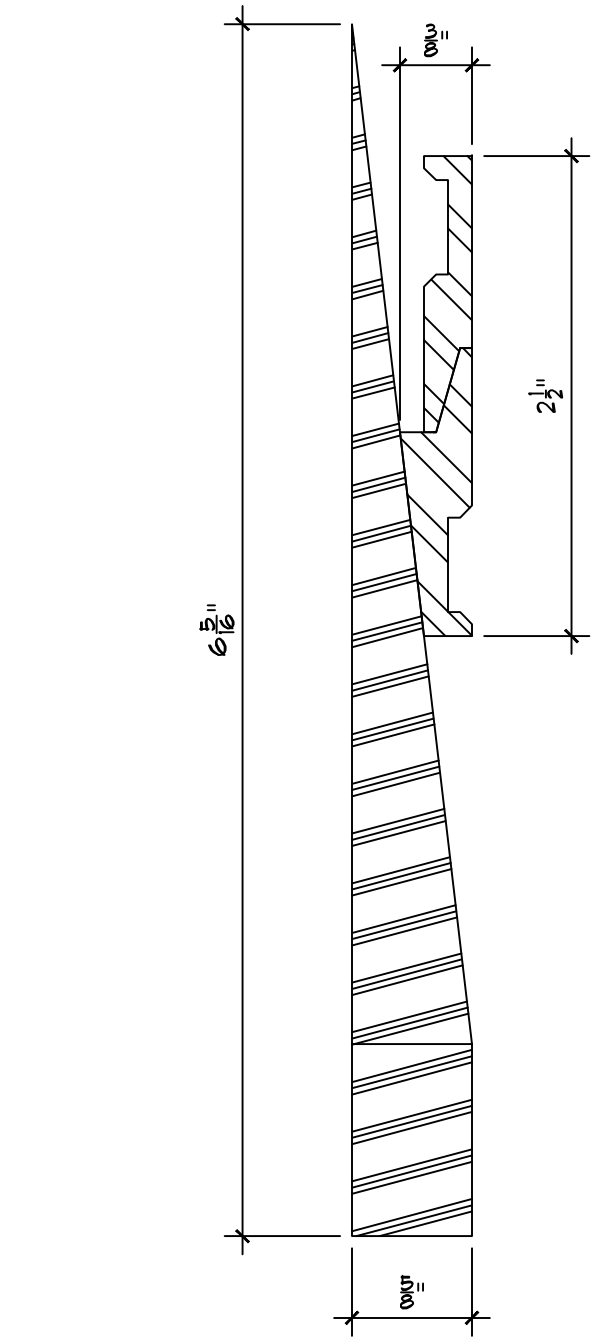
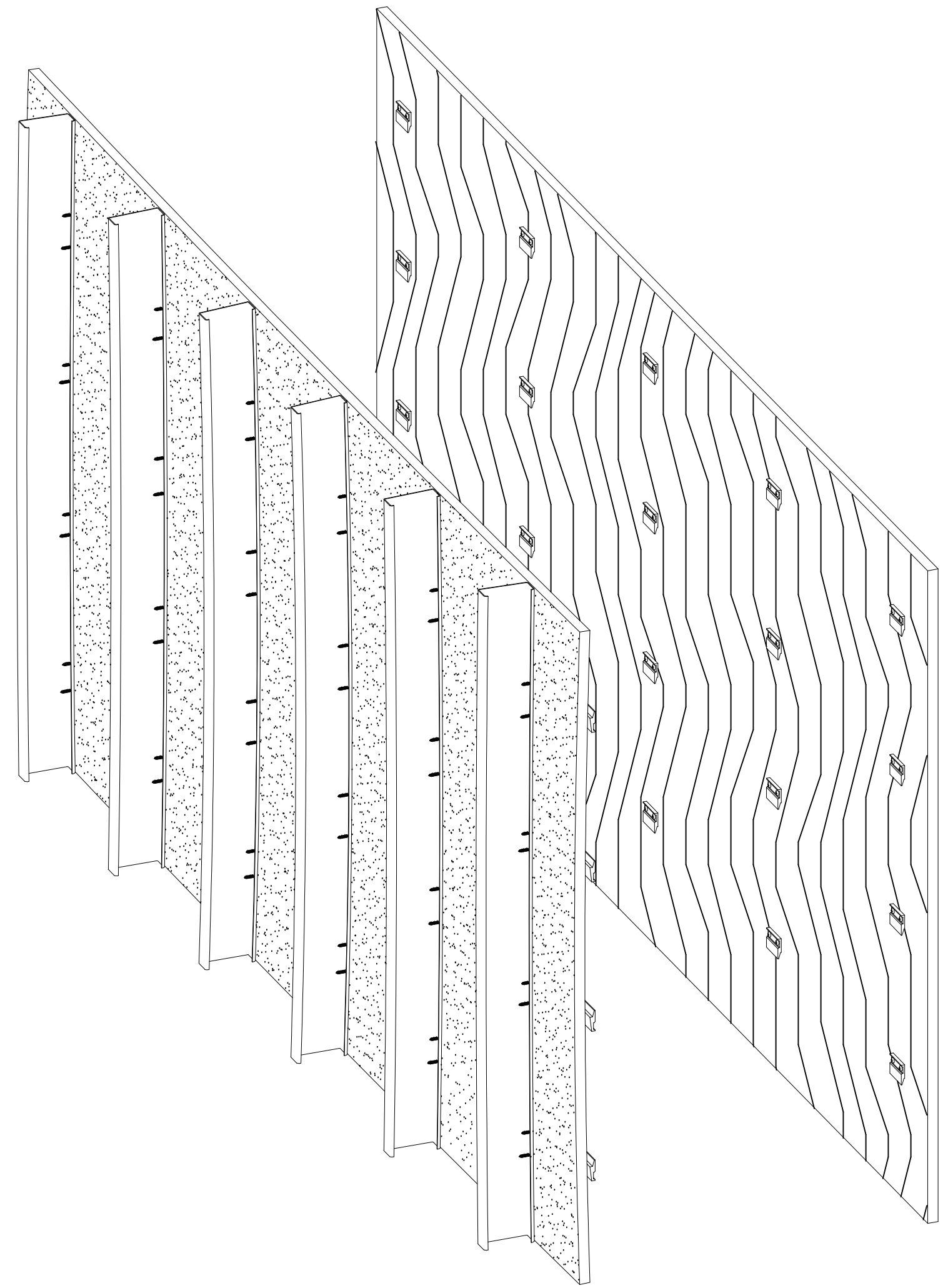
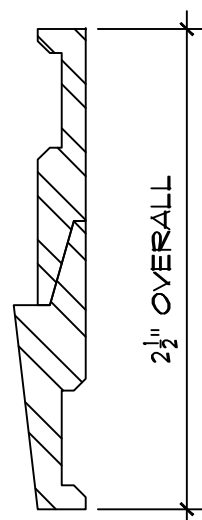
4 0" TO 1/4" ADJUSTMENT - SECTION  
FULL SCALE



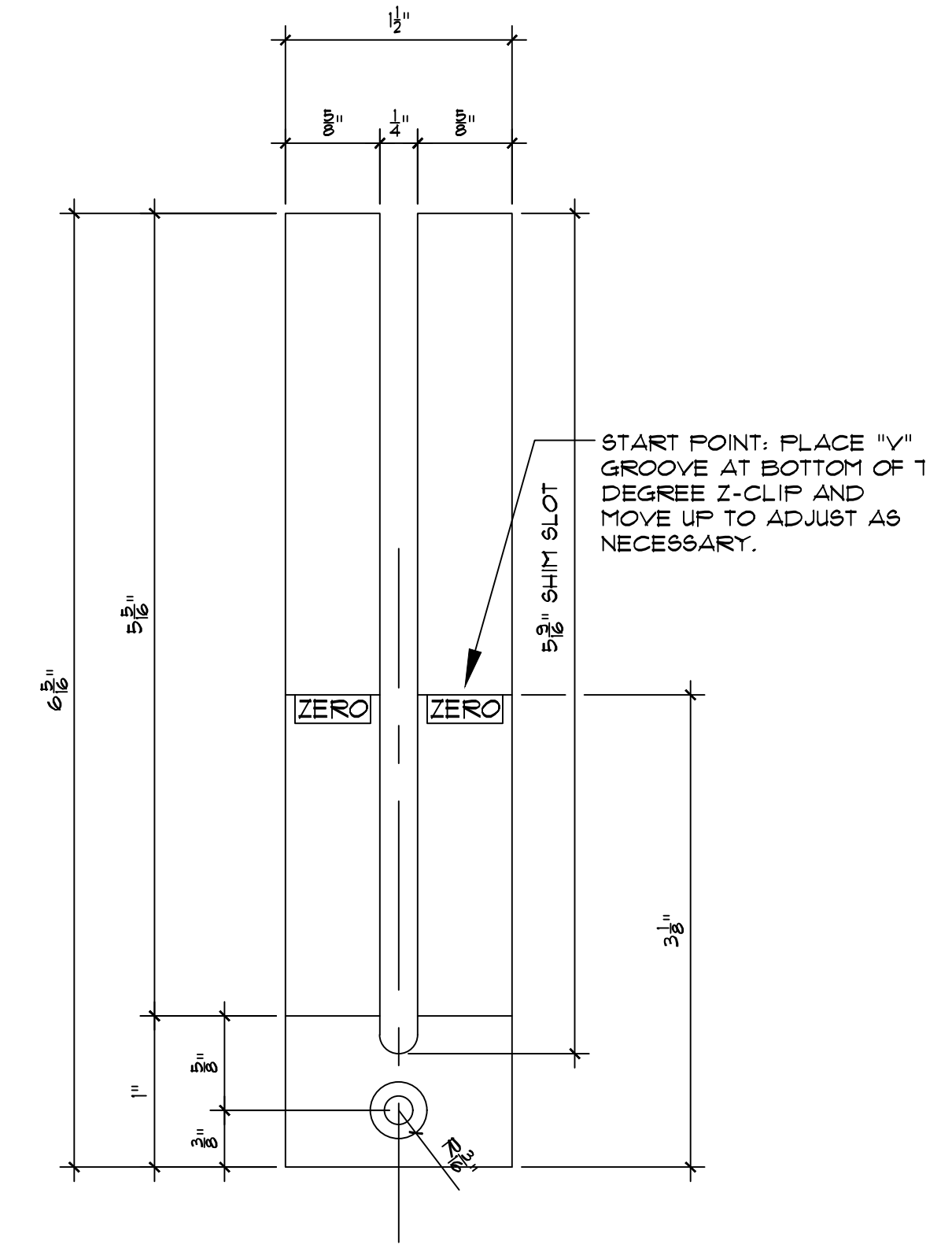
B ISO VIEW  
SCALE: 1-1/2" = 1'-0"



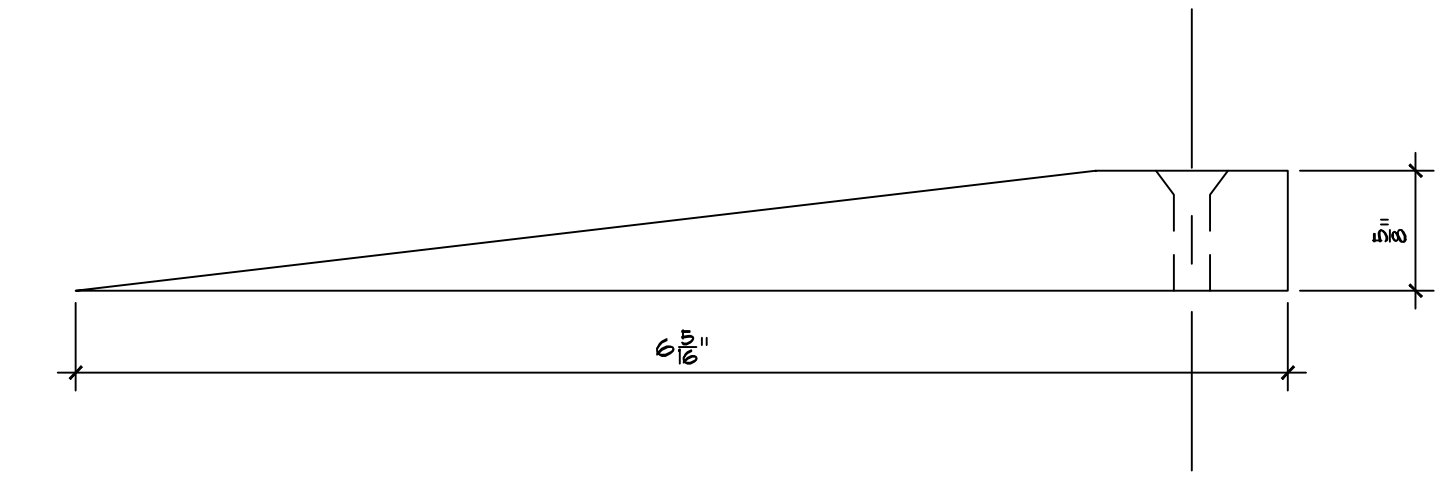
A 1 DEGREE CLIP WITH 1/2" LIFT OFF  
FULL SCALE



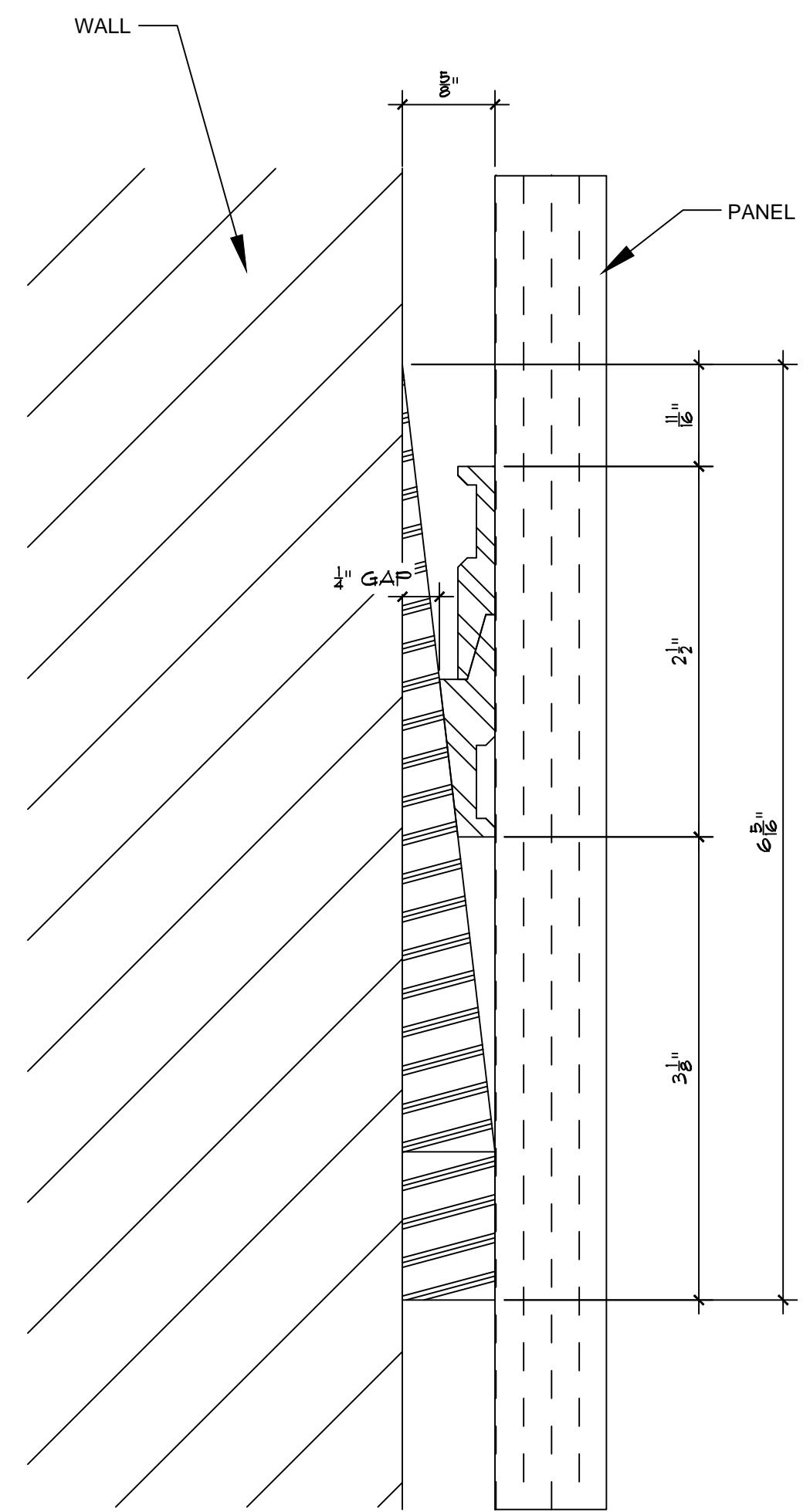
1 1/4" TO 1/2" ADJUSTMENT - SECTION  
FULL SCALE



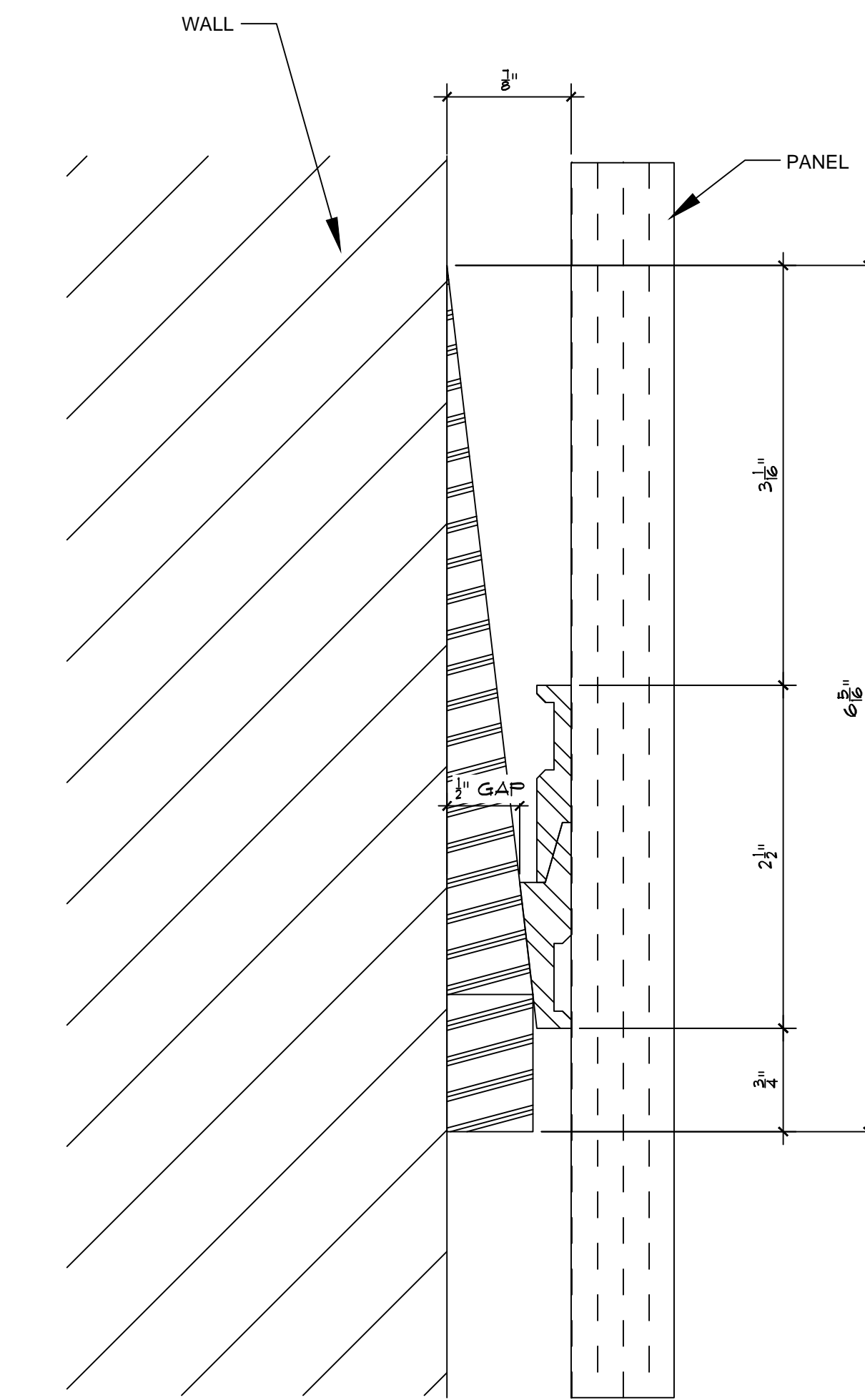
2 1/4" TO 1/2" ADJUSTMENT - PLAN  
FULL SCALE



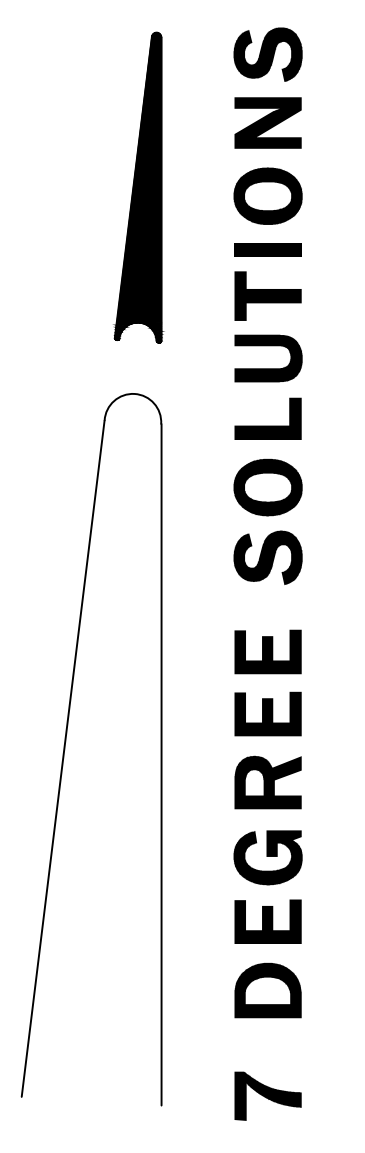
3 1/4" TO 1/2" ADJUSTMENT - ELEVATION  
FULL SCALE



4 1/4" TO 1/2" ADJUSTMENT - SECTION  
FULL SCALE



Patent  
Z-Clip with Angled Base For Depth  
Alignment  
Patent No. 12,085,104



Description

1 DEGREE  
Z-CLIP  
WITH 1/2"  
LIFT OFF

1/4" to 1/2"  
ADJUSTMENT

Sheet 2 of 2